

# 118D RED COLLECTION

## ELİPTİK BİSİKLET/ ELLIPTICAL BIKE



**KULLANIM KILAVUZU/OWNER'S MANUEL**

**TÜRKÇE/ENGLISH**

# VOIT RED COLLECTION 118D ELLIPTICAL BIKE ENG

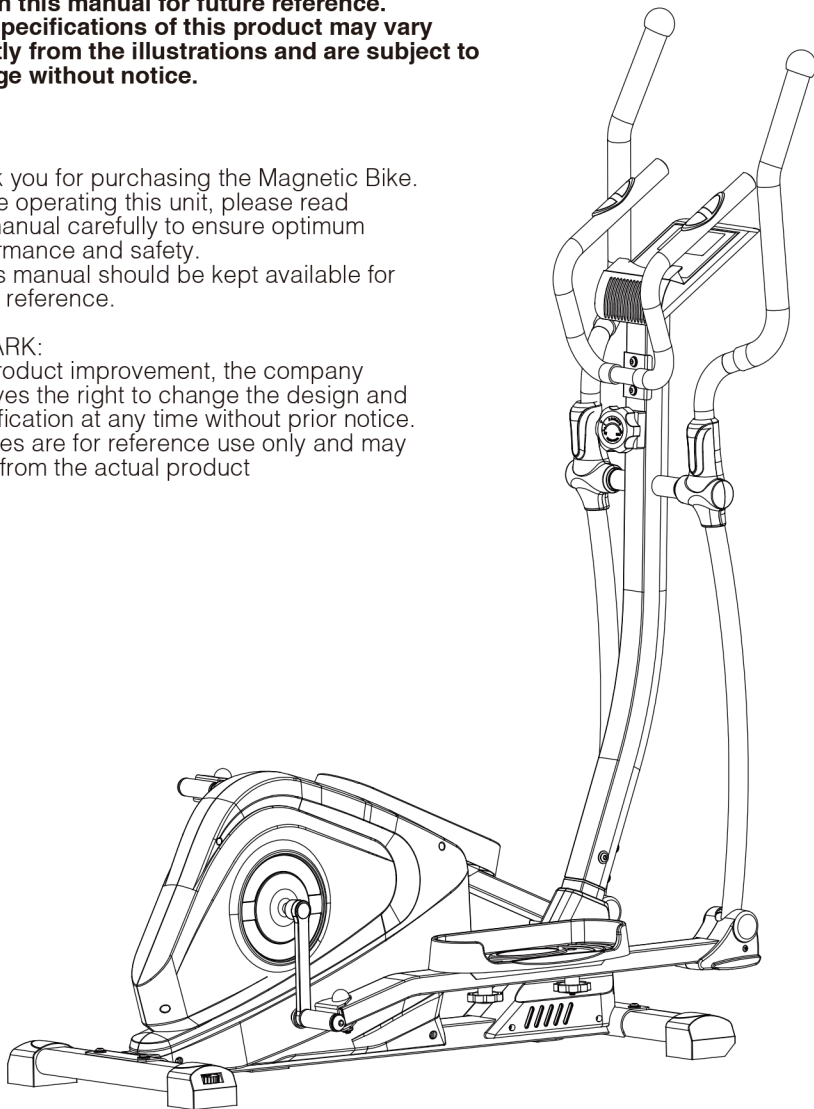
## IMPORTANT!

**Please read all instructions carefully before using this product.**  
**Retain this manual for future reference.**  
**The specifications of this product may vary slightly from the illustrations and are subject to change without notice.**

Thank you for purchasing the Magnetic Bike. Before operating this unit, please read this manual carefully to ensure optimum performance and safety. This manual should be kept available for future reference.

## REMARK:

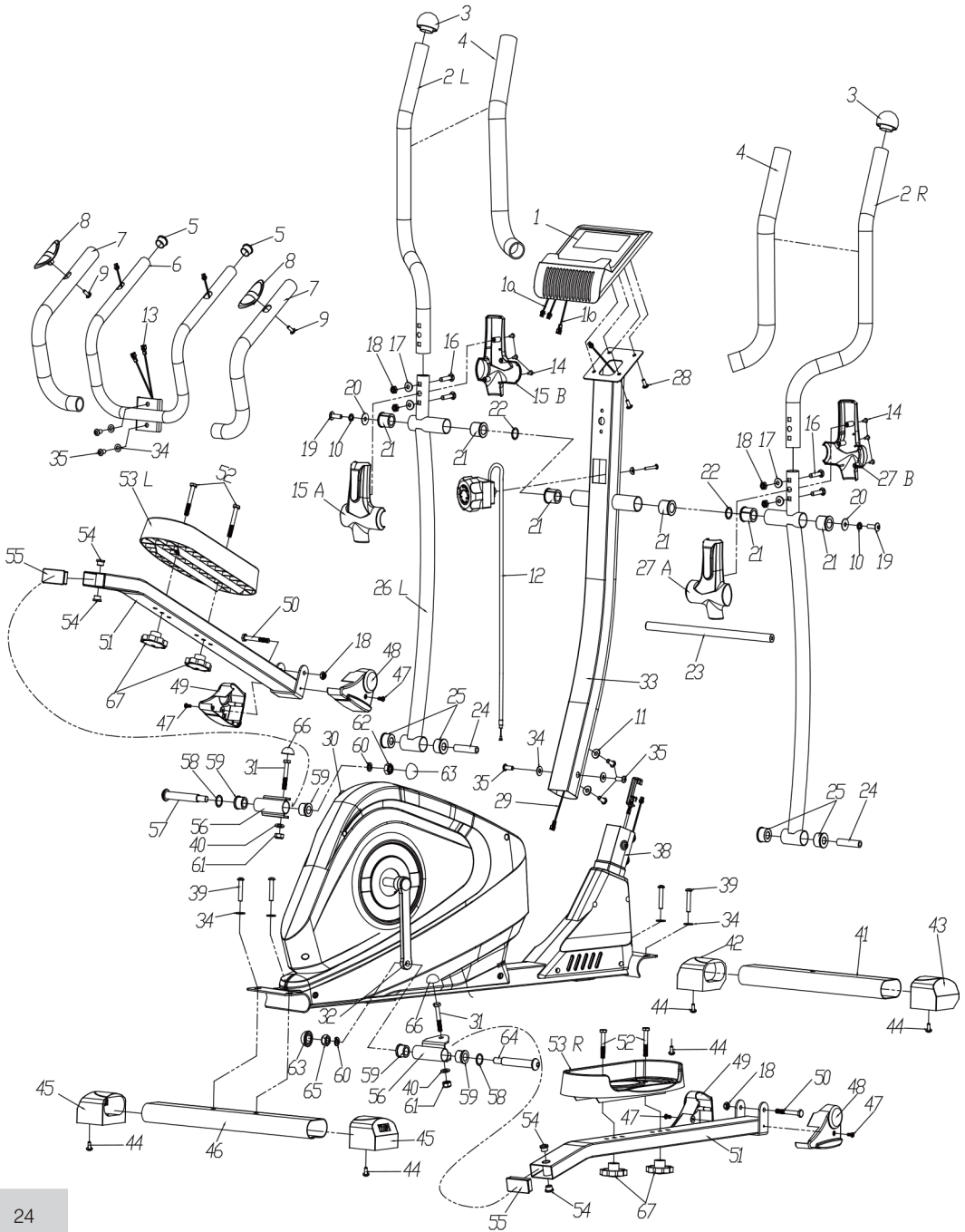
For product improvement, the company reserves the right to change the design and specification at any time without prior notice. Pictures are for reference use only and may differ from the actual product



**Please read the instructions and warnings carefully before use, to ensure safe and satisfactory operation of this product.**

**Follow the assembly instructions carefully.**

1. Please keep this manual in a safe place for your reference when necessary.
2. Please do not assembly or use this equipment until you read this manual thoroughly & carefully. The safety and efficiency only can be achieved when the equipment is assembled, maintained and used properly. It is your responsibility to ensure that all the users are informed of all the warnings and precautions.
3. For totally safe use, a stable, leveled surface is required. Protect your floor with a mat. Do not use the equipment in a damp areas such as swimming pool sauna, etc. For safety space, the equipment must have at least 0.5meter of free space all around it.
4. Before starting any exercise program you must consult your doctor to determine if you have any physical or health conditions that could create a risk to your health and safety, or prevent you from using the equipment properly. Your doctor's advice is essential if you are taking medication that affects your heart rate, blood pressure or cholesterol level.
5. Be aware of your body's signals. Incorrect or excessive exercise can damage your health. Stop exercising if you experienced any of the following symptoms: pain, tightness in your chest, irregular heartbeat, extreme shortness of breath, feeling light headed, dizzy or nauseous. If you do experience any of these conditions you must consult your doctor before continuing with your exercise program.
6. Do not workout immediately after meals.
7. Keep children and pets away from the equipment, the equipment must be assembled and used by adults only.
8. The equipment is designed for home use only, Maximum weight of the user is :120kg.
9. The equipment is not suitable for therapeutic use, may only be used for exercises indicated in the training instructions
10. Wearing proper clothing and athletic shoes while using the equipment, Avoid wearing loose clothing that may get caught in the equipment or that may restrict or prevent movements.
11. Keep your back straight while exercising.
12. Before using the equipment, check the handle bar, seat, and the nuts & bolts are securely tightened.
13. For adjustable parts, bear the maximum position in your mind, do not exceed the mark "stop", otherwise will cause risk.
14. Always use the equipment as indicated. If you find any defective components while assembling or checking the equipment, or if you hear any unusual noises coming from the equipment during use, stop immediately. Do not use the equipment until the problem has been solved.
15. Care must be taken when lifting or moving the equipment so as not to injure your back. always use proper lifting techniques and /or seek assistance if necessary.
16. All moveable accessories(e.g. pedal, handlebar, saddle...etc.) require weekly maintenance. Check them before use every time. If anything broken or loose, please fix them immediately. You may continue using them only after they return to good conditions.
17. Pay attention to the absence of a free wheel system which will cause serious risk.
18. Keep power cord away from heat sources.
19. Do not insert or drop any object into any opening.
20. Unplug exercise bike before moving or cleaning it. To clean, wipe surfaces down with mild detergents and a slightly damp cloth only; never use solvents.
21. Do not use the exercise bike in any location that is not temperature controlled, such as, but not limited to, garages, porches, pool rooms, bathrooms, car ports or outdoors.
22. Use the bike only as described in this manual.
23. Incorrect repair and structural modifications(e.g. removal or replacement of original parts) may endanger the safety of the user.
24. The rotating disk flywheel will get hot during the operation.
25. Lock the equipment when stop using.



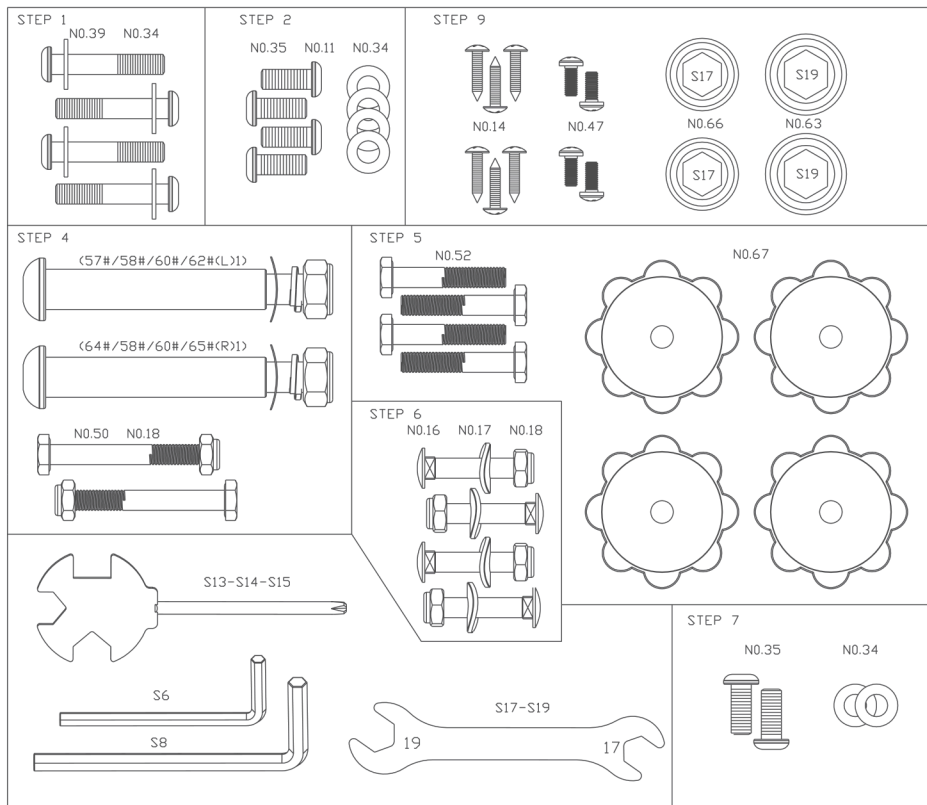


# PART LIST

ENG

NO.	NAME/SPECIFICATION	QTY
1	Console	1
2	Handle Bar L/R	2
3	Tube Plug	2
4	Foam	2
5	Tube Plug $\phi 25$	2
6	Middle Handle Bar	1
7	Foam	2
8	Handle Pulse Sensor	2
9	Screw ST4.2×20	2
10	Spring Washer D8	2
11	Curved Washer D8	2
12	Resistance Adjusting Set	1
13	Pulse Sensor Wire	2
14	Screw ST3×16	6
15A/B	Handle Bar Decorative Cover	2
16	Bolt M8×40	4
17	Curved Washer D8× $\phi 16$ ×R19	4
18	Nylon Nut M8	6
19	Hex Screw M8×20	2
20	Washer D8× $\phi 32$ ×2	2
21	Bushing $\phi 32$ × $\phi 30$ ×28	4
22	Waved Washer D19	2
23	Handlebar Shaft	1
24	Bushing $\phi 14$ × $\phi 8.5$ ×60	2
25	Bushing $\phi 32$ × $\phi 14$ ×20	4
26L/R	Low Handle Bar L/R	2
27A/B	Handle Bar Decorative Cover	1
28	Screw M5×10	4
29	Console Wire (Top)	1
30	Crank (L)	1
31	Hex Screw M10×1.5×57L	2
32	Crank (R)	1
33	Front Post	1
34	Washer D8× $\phi 20$ ×1.5	8
35	Screw M8×16	6
36	Screw ST4.2×16	9
37	Console Wire (Bottom)	1
38	Main Frame	1
39	Screw M8×50	4
40	Washer D10× $\phi 20$ ×2	2
41	Front Stabilizer	1
42	Front Stabilizer Tube Plug(L)	1
43	Front Stabilizer Tube Plug(R)	1
44	Screw ST4.2×16	16
45	Rear Stabilizer Tube Plug	2
46	Rear Stabilizer	1
47	Screw M5×16	4
48	Pedal Tube Decorative Cover(R)	2
49	Pedal Tube Decorative Cover(L)	2
50	Screw M8×75	2
51	Pedal Tube	2
52	Screw M8×45	4
53L/R	Pedal L/R	2
54	Bushing $\phi 14$ × $\phi 10.1$ ×12.5	4
55	Tube Plug J60×30×1.5	2

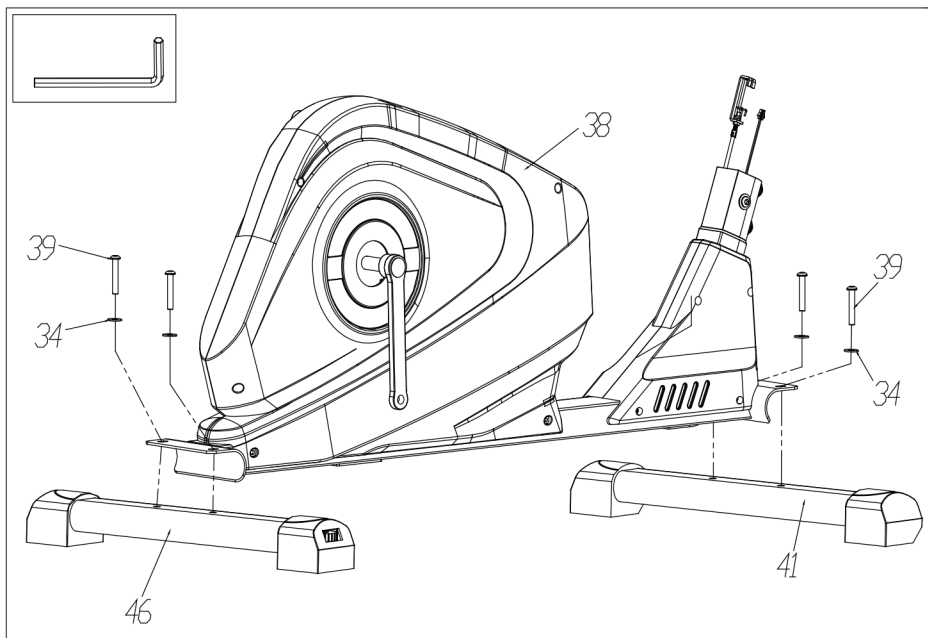
NO.	İSİM/ ÖZELLİK	MIKTAR
56	Connecting Bracket	2
57	Screw of Crank Axis 1/2" L	1
58	Waved Washer D16	2
59	Bushing $\phi 24 \times \phi 16.1 \times 20$	4
60	Spring Washer 1/2"	2
61	Nylon Nut M10	2
62	Lock Nut of Crank Axis 1/2" L	1
63	Screw Decorative Cover S19	2
64	Screw of Crank Axis 1/2" R	1
65	Lock Nut of Crank Axis 1/2" R	1
66	Screw Decorative Cover S17	2
67	Knob M8	4
68	Crank Decorative Cover	2
69	Nut M10x1.0	2
70	Decorative Cover for Crank Hole	2
71	Decorative Cover	4
72L/R	Cover L/R	2
73	Axis Spring D17	1
74	Bear 6203	2
75	Resistance Adjusting Wire(Bottom)	1
76	Hex Screw M6x30	1
77	Axle Bushing	1
78	Hex Screw M6x15	4
79	Belt Pulley	1
80	Axle	1
81	Nylon Nut M6	4
82	Belt	1
83L/R	Front Post Decorative Cover(L/R)	2
84	Spring	1
85	Bearing	2
86	Washer D10	1
87	Pinch Roller Bushing	1
88	Screw M10x1.25	1
89	Nylon Nut M10x1.25	2
90	Flywheel	1
91	Axis of Flywheel	1
92	Bearing Block	2
93	Screw M6x20	2
94	Bearing End Cap	2
95	Screw M6x1.0	2
96	Axis Spring d12	2
97	Magnetic Axis	1
98	Screw	8
99	Magnet	4
100	Magnet Board	1
101	Spring	1
102	Washer	2
103	U Bracket	1
104	Screw M10x1.25	1
105	Pinch Roller	1
106	Tube Plug	2
107	Flywheel Mounting Plate (left)	1
108	Flywheel Mounting Plate (right)	1
109	Screw	6
110	Trim Cover	6





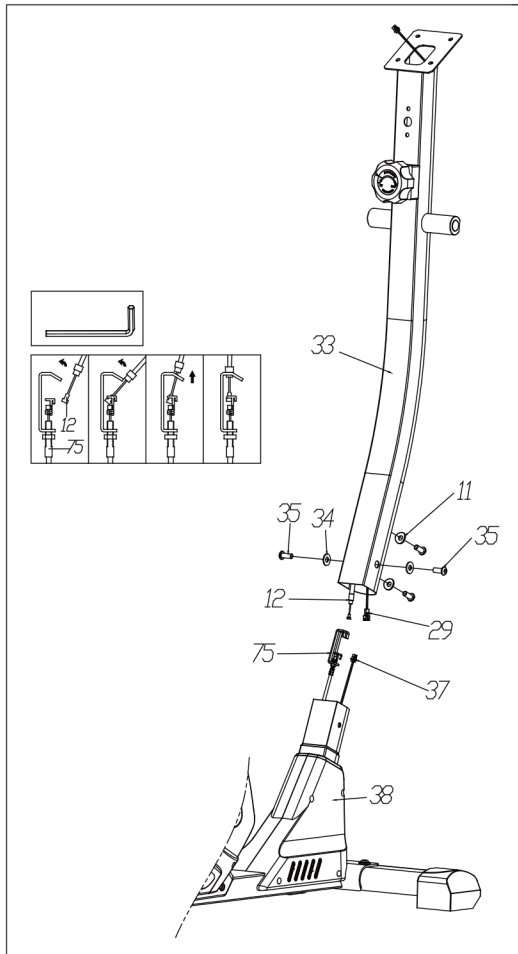
Follow these easy steps:

Open the carton so the sides fall down. You can use the base of the cardboard to assemble the cross trainer on to avoid damaging your floor surface. Please tighten all screws loosely until final stage.



## STEP 1

Attach the front stabilizer(41) and the rear stabilizer(46) to the main frame(38) with the screws(39) and washers(34). The rear stabilizer has no wheels, the front has wheels attached.

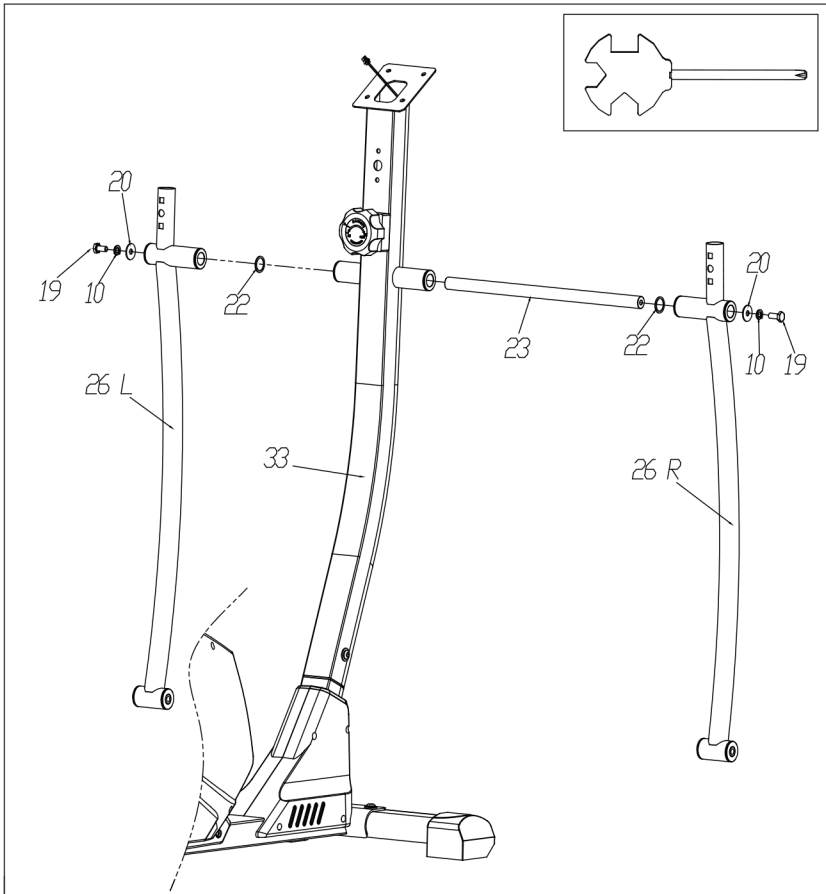


## STEP 2

1. Connect the console wires(29) and (37) together as above. Please ensure that all pins are straight when connecting the console wires (29) and (37). At the same time, connect the resistance adjusting wire(12&75) together, too. Failure to do so will result in console malfunction.

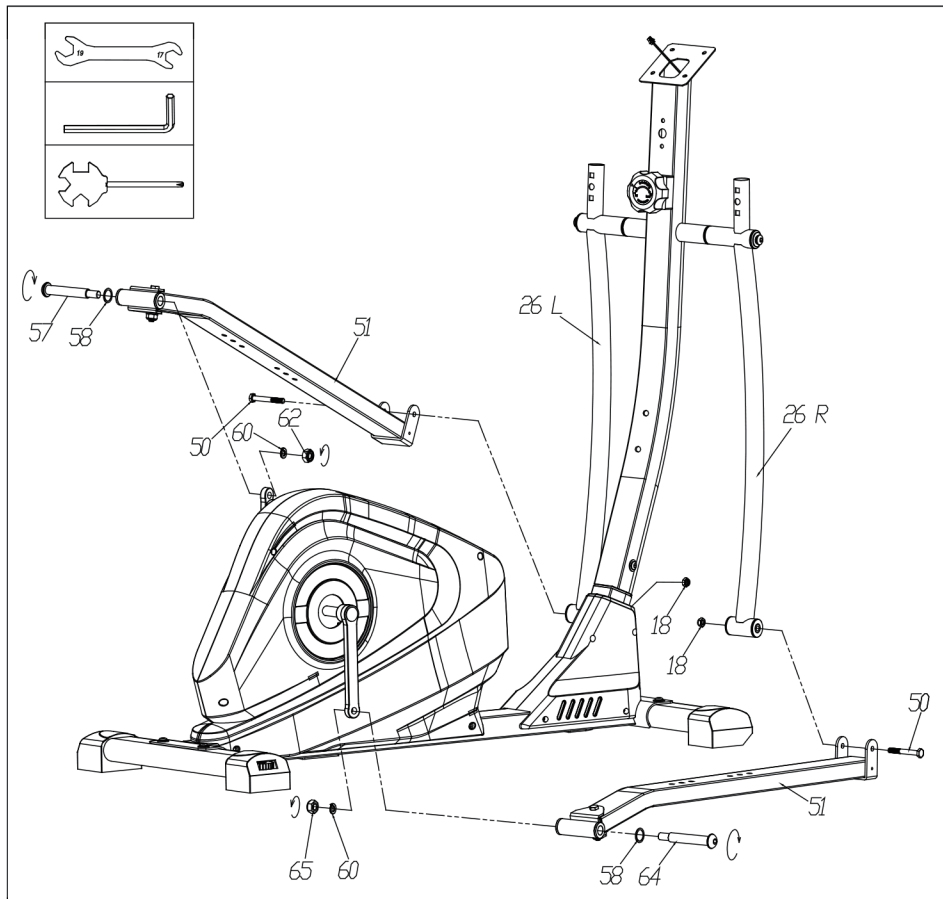
2. Put the front post(33) onto the main frame (38) with Screws (35) and washers(34 & 11).

Note: Tighten the screws(35) and washers(34&11) after STEP 3. Periodically check these fixings and ensure they are tight.



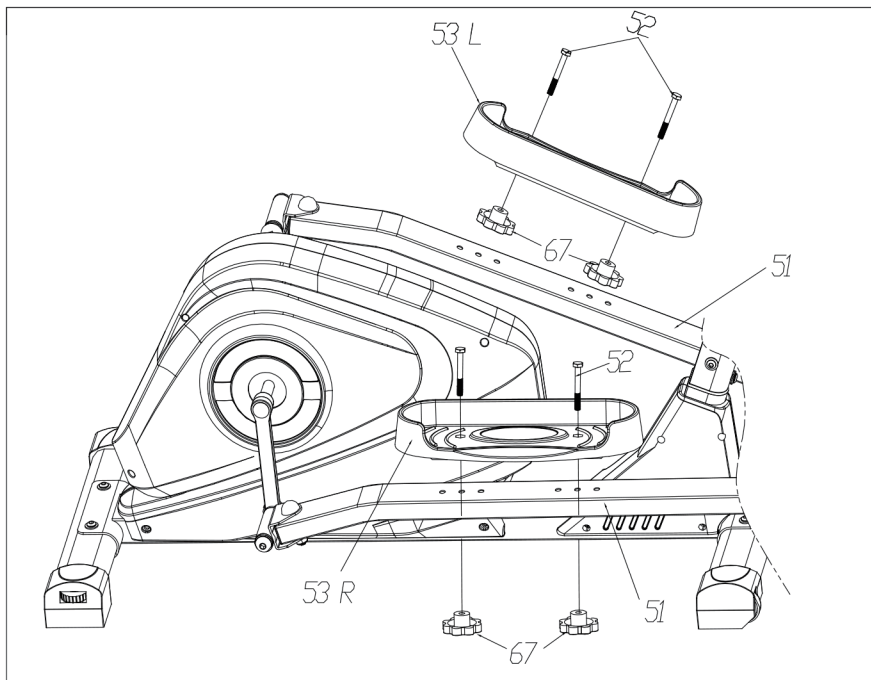
### STEP 3

1. Fix the lower handle bar(26L/R) to the front post(33) with hex screws(19) and washers(10&20) and handlebar shaft(23). When tighten the lower handle bars, please do not over tighten as they need to run freely.



## STEP 4

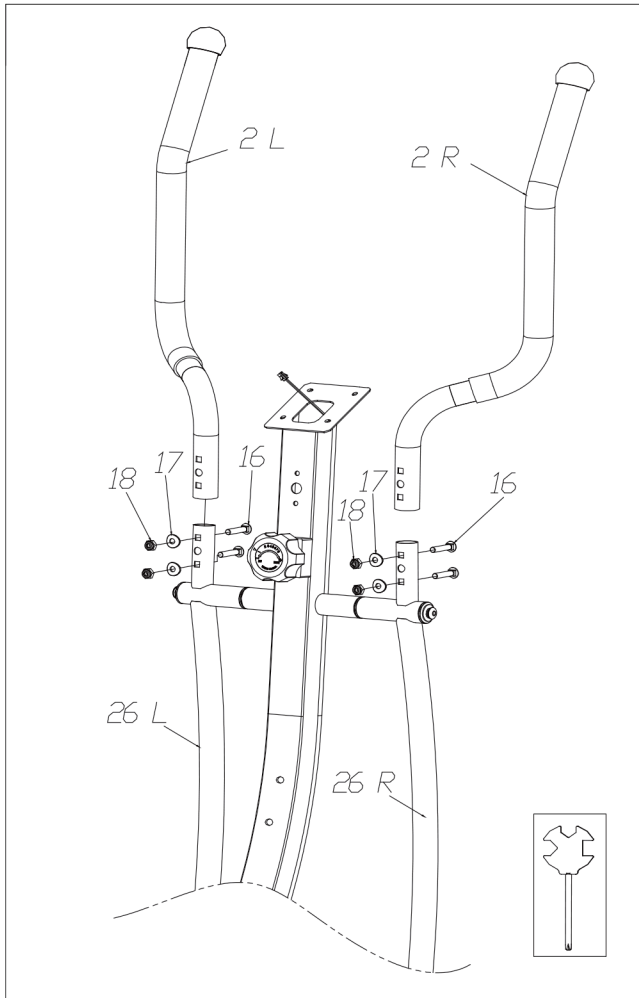
1. Loosely fit the back of the pedal tube(51 L/R) to the pedal crank using screws of crank axis (57 L/64R) and waved washer D16(58), also with the spring washers(60) and lock nut of crank axis (62L&65R).
2. Loosely fit the front of the pedal tube(51L/R) to the lower handle bars (26 L/R) using screws(50) and nylon nuts(18).
3. Now fully tighten screws(57/64 L/R) from stage 1. Then secure with a spring washer(60) and nylon nuts(65/62 L/R).
4. Fully tighten the screws fitted in stage 2. Periodically check the fixings to ensure they are tight.



## STEP 5

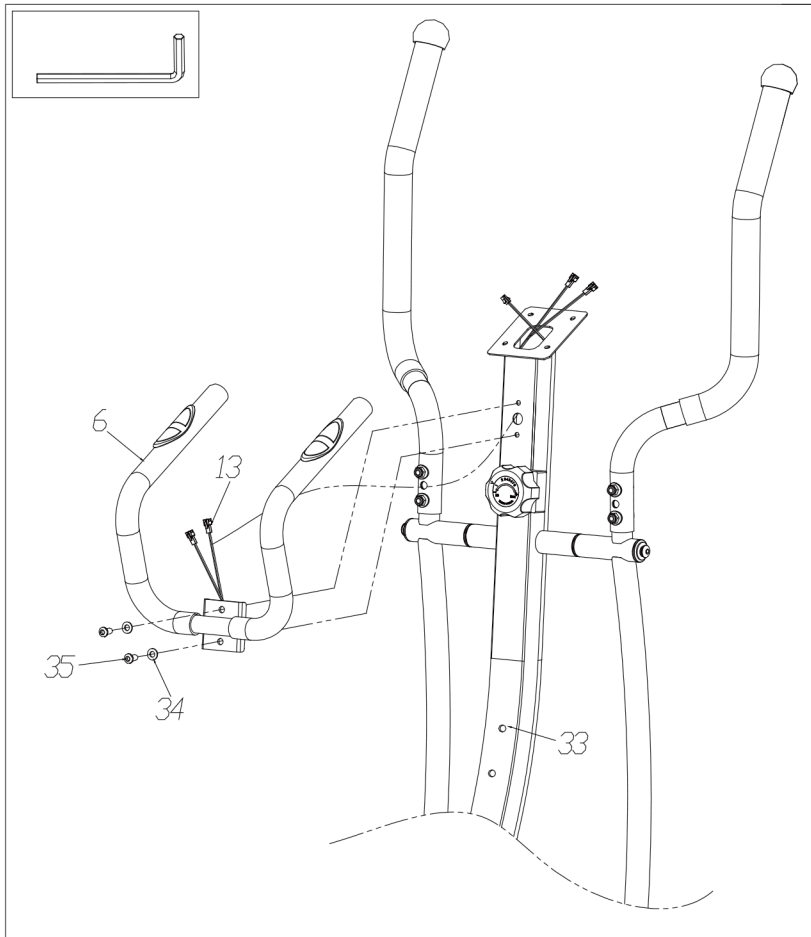
Install the pedal(53L/R) on the pedal tube(51) with screws(52) and knob (67).

Note: the lower side of each pedal should be attached on the outside and make sure you attach each pedal using the same holes on each side.



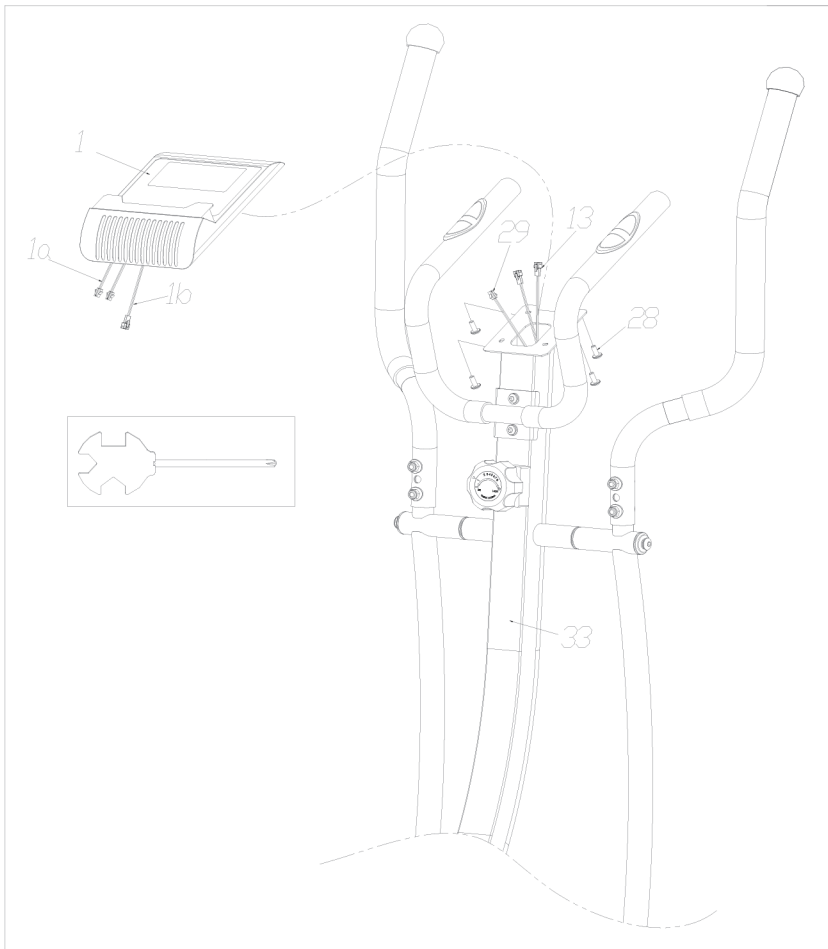
## STEP 6

Fix the handle bar(2L/R) to the lower handler bar(26L/R) with bolts(16), curved washers(17) and nylon nuts(18). All fixings need to be tighten.



## STEP 7

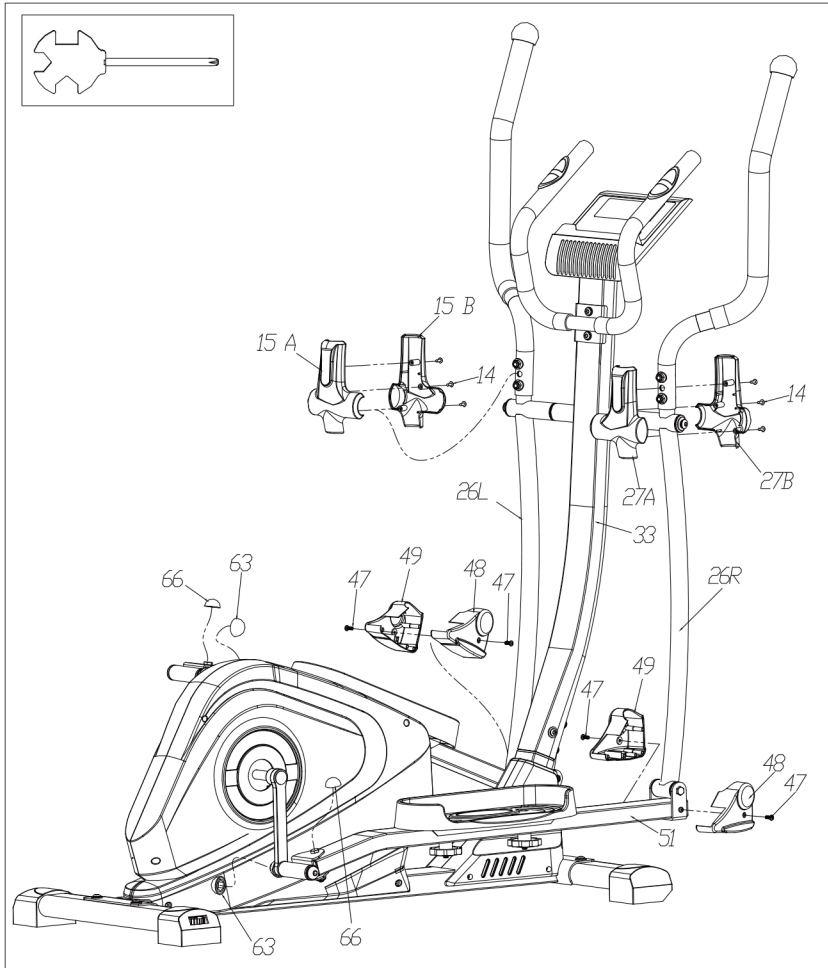
Attach the middle handle bar(6) to the front post(33) with the screws(35) and washers(34)



## STEP 8

Connect handle pulse wires, then connect pulse sensor wires(13) and console wire(29) to the console(1); fix the console(1) onto the front post(33) with screws(28).





## STEP 9

1. Attach the handle bar decorative cover(15AB/27AB) to lower handle bar (26L/R) with screws(14).
2. Attach screw decorative cover(66) to the back of the lower pedal tube to cover the exposed bolt head. Add screw decorative cover (63) to the inner left and right pedal tube at rear.
3. Attached the pedal tube decorative cover(48/49) to the lower handle bar tube (26L/R) with screws(47).

**Caution:** Now the equipment is completed assembled, if you find it not leveled on the floor, you can adjust it by the adjusting rear stabilizer tube plug(45). Make sure you have tightened all the screws and nuts well before beginning your workout.

1. When you don't use the exercise bike for a long time, please take out the console battery to avoid running out of battery.
2. Often clean the exercise bike with clean cloth to keep the clean appearance.
3. The safety level of the equipment only can be maintained if it is regularly examined for damage and / or wear and tear.(e.g. handle bar, pedals and seat ...etc.).It is vital that any faulty parts are replaced and the it is not used until completed repaired.
4. Regularly check that the elements fastened with nuts and bolts are correctly tightened.
5. Remember regularly to grease moving parts.
6. Special attention to the component, most of them are susceptible to wear like brake system, foot pad etc.
7. As sweat is very corrosive, do not allow it to come into contact with the enameled or chromed parts of the equipment, particularly the computer. Immediately wipe the equipment after using. The enameled parts can be cleaned using a damp sponge. All aggressive or corrosive products must be avoided.
8. Storing the equipment in a clean and dry environment away from children.

## 1. How often?(frequency of workouts)

Doctors recommend that you exercise at least 3 to 4 days per week to maintain cardiovascular fitness. If you have other goals such as weight or fat loss, you will achieve your goal faster with more frequent exercise. Whether it's 3 days or 6 days, remember that your ultimate goal should be to make exercise a lifetime habit. Many people are successful staying with a fitness programme if they set aside a specific time of day to exercise. It doesn't matter whether it's in the morning before breakfast, during lunch hour or while watching the evening news. What's more important is that it's a time that allows you to keep a schedule, and a time when you won't be interrupted. To be successful with your fitness programme, you have to make it a priority in your life. So decide on a time, pull out your diary and pencil in your exercise times for the next month!

## 2. How long?(duration of workouts)

For aerobic exercise benefits, it's recommended that you exercise from between 25 and 60 minutes per session. But start slowly and gradually increase your exercise times. If you've been sedentary during the past year, it may be a good idea to keep your exercise times to as little as five minutes initially. Your body will need time to adjust to the new activity. If your goal is weight loss, a longer exercise session at lower intensities has been found to be most effective. A workout time of 50 minutes or more is recommended for best weight loss results.

## 3. How hard? ( intensity of workouts)

How hard you workout is also determined by your goals. If you use your exercise equipment to prepare for a 5K run, you will probably workout at a higher intensity than if your goal is to improve your general fitness. Regardless of your long term goals, always begin an exercise programme at low intensity. Aerobic exercise does not have to be painful to be beneficial. The easiest way to measure intensity is by monitoring your heart rate using the grip pulse handle bar or chest strap (optional).

## 4. Perceived exertion level

A simple way to gauge your exercise intensity is to evaluate your perceived exertion level. While exercising, if you are too out of breath to maintain a conversation without gasping, you are working out too hard. A good rule of thumb is to work to the point of exhilaration, not exhaustion. If you cannot catch your breath, it's time to slow down. Always be aware of these warning signs of overexertion.

## 5. Stretching

Before using your product, it is best to take a few minutes doing some gentle stretching exercises. Stretching prior to exercise will improve flexibility and reduce chances of exercise related injury. Ease into each of these stretches with a slow gently motion. Do not stretch to the point of pain. Make sure not to bounce while doing these stretches.

## 6. Standing calf muscle stretch

Stand near a wall with the toes of your left foot about 18" from the wall, and the right foot about 12" behind the other foot. Lean forward, pushing against the wall with your palms. Keep your heels flat and hold this position for a count of 15 seconds. Make sure that you do not bounce while stretching. Repeat on the other side.

## 7. Standing quadriceps stretch

Using a wall to provide balance, grasp your left ankle with your left hand and hold your foot against the back of your thigh for 15 seconds. Repeat with your right ankle and hand.

## 8. Sitting hamstring and lower back muscle stretch

Sit on the floor with your legs together and straight out in front of you. Do not lock your knees. Extend your fingers towards your toes and hold for a count of 15 seconds. Make sure that you do not bounce while stretching. Sit upright again. Repeat one time.

## 9. Warm up

The first 2 to 5 minutes of a workout should be devoted to warming up. The warm up will limber your muscles and prepare them for more strenuous exercise. Make sure that you warm up on your product at a slow pace. The warm up should gradually bring your heart rate into your Target Heart Rate Zone.

## 10. Cool down

Never stop exercising suddenly! A cool down period of 3-5 minutes allows your heart to readjust to the decreased demand. Make sure that your cool down period consists of a very slow pace to allow your heart rate to lower. After the cool down, repeat the stretching exercises listed to loosen and relax your muscles to avoid the build up of lactic acid and post exercise muscle pain.

## 11. Achieving your fitness goals

An important step in developing a long term fitness programme is to determine your goals. Is your primary goal for exercising to lose weight? Improve muscle? Reduce stress? Prepare for a race? Knowing what your goals are will help you develop a more successful exercise programme. Below are some common exercise goals and the type of activity that will help you to achieve these goals:

A. Weight loss - lower intensity, longer duration workouts.

B. Improve body shape and tone - interval workouts, alternate between high and low intensities.

C. Increased energy level-more frequent daily workouts.

D. Improved sports performance-high intensity workouts.

E. Improved cardiovascular endurance - moderate intensity, longer duration workouts. If possible try to define your personal goals in precise, measurable terms, and then put your goals in writing. The more specific you can be, the easier it will be to track your progress. If your goals are long term, divide them up into monthly and weekly segments. Longer term goals can lose some of the immediate motivation benefits.

Short term goals are easier to achieve. Your console provides you with several readouts that can be used to record your progress.

## SPECIFICATIONS:

TIME.....	<b>NO:SMS_402</b> 00:00-99:59
SPEED(SPD).....	0.0-99.9KM/H (ML/H)
DISTANCE.....	0.00-9999KM (ML)
CALORIES.....	0.0-9999KCAL
ODOMETER(ODO).....	0.0-9999KM (ML)
PULSE (PUL) .....	0-40~240BPM

## KEY FUNCTIONS:

- MODE: This key lets you to select and lock on to a particular function you want.
- SET:Can to proceed the data establish for "TIME" "DISTANCE" "CALORIES""PULSE".
- CLEAR(RESET):The key to reset the value to zero by pressing the key.
- ON/OFF(START/STOP):The key to pause the signal input by pressing the key.

## OPERATION PROCEDURES:

### 1. AUTO ON/OFF

The system turns on when any key is pressed or when it sensor an input from the speed sensor.  
The system turns off automatically when the speed has no signal input or no key are pressed for approximately 4 minutes.

### 2. RESET

The unit can be reset by either changing battery or pressing the MODE key for 3 seconds.

### 3. MODE

To choose the SCAN or LOCK if you do not want the scan mode, press the MODE key when the pointer on the function you want which begins blinking.

## FUNCTIONS:

1. TIME: Press the MODE key until pointer lock on to TIME. The total working time will be shown when starting exercise.
  - 2.SPEED:Press the MODE key until the pointer advance to SPEED. The current speed will be shown.
  - 3.DISTANCE:Press the MODE key until the pointer advance to DISTANCE. The distance of each workout will be displayed.
  - 4.CALORIE: Press the MODE key until pointer lock on to CALORIE. The calorie burned will be displayed when starting exercise.
  - 5.ODOMETER(IF HAVE): Press the MODE key until the pointer advance to ODOMETER.The total accumulated distance will be shown.
  - 6.PULSE(IF HAVE): Press the MODE key until the pointer advance to PULSE .User's current heart rate will be displayed in beats per minute. Place the palms of your hands on both of the contact pads(or put ear-clip to ear),and wait for 30 seconds for the most accurate reading.
- SCAN: Automatically display changes every 4 seconds.  
BATTERY:If improper display on monitor, please reinstall the batteries to have a good result.